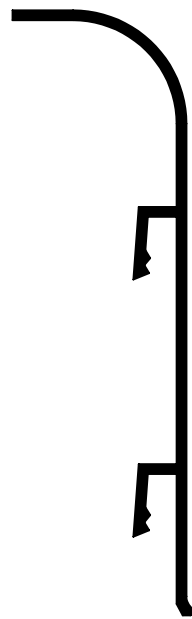
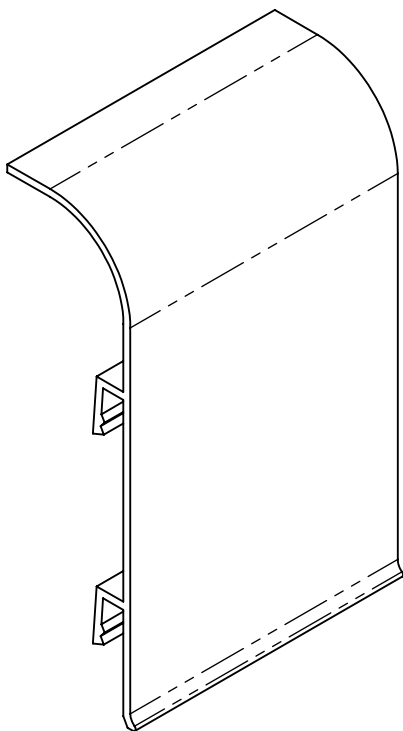


A`%%



A`%%

	G		1/2									
	D		1/2									
		\$Z')	> #1A			<table border="1" style="width: 100%; border-collapse: collapse;"> <tr> <td style="width: 20%;">TM A"</td> <td style="width: 20%; text-align: center;">S ±AA ±</td> <td style="width: 20%; text-align: center;">S ±AEA ±²</td> </tr> <tr> <td>TM AA.</td> <td></td> <td>TM AA ±³.</td> </tr> </table>	TM A"	S ±AA ±	S ±AEA ± ²	TM AA.		TM AA ± ³ .
TM A"	S ±AA ±	S ±AEA ± ²										
TM AA.		TM AA ± ³ .										
	B		& 1/2									
- 1/4	TM AA	t U»A1PA ±	YJU A1A'	' ±A ±	<h1>Y143AAÄ - + #, G</h1>							
i ± A ± ² "		' ±U134CE		(S) 28S8								
YA ± ³ "												
E" »i3AA"												
> " »i3AA					$\tilde{S} \frac{1}{4} 1 \frac{1}{2} \frac{3}{4} \circ$ $\pm \frac{3}{4} \mu 1 \dot{\epsilon} \pm \frac{3}{4} \mu \circ$							
xA ± ³ "					oooo YY •" Ä¶¶#Ä»Ä¶(-) L*\$%, *! +							